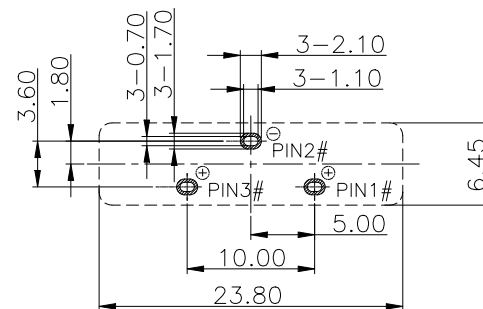
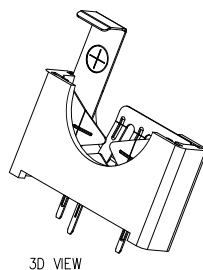
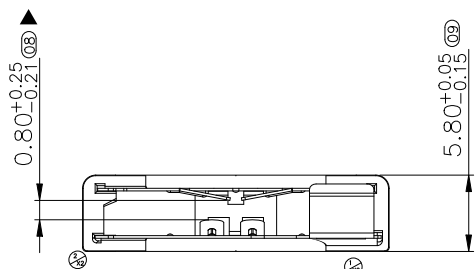


有吸取盖

REV.	ECN NO.	LOCATION	DESCRIPTION	DATE	DESIGN
A			发行正式版	2024.08.02	Guo Xi Qiao



RECOMMENDED PCB LAYOUT(TOP VIEW)

PCB THICKNESS T=1.60mm

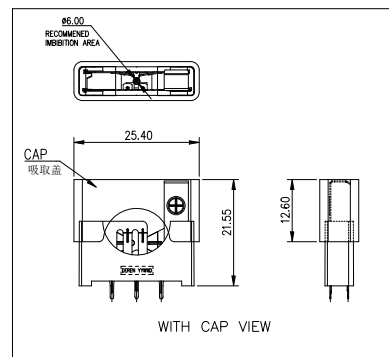
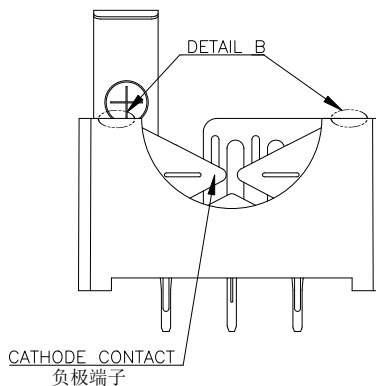
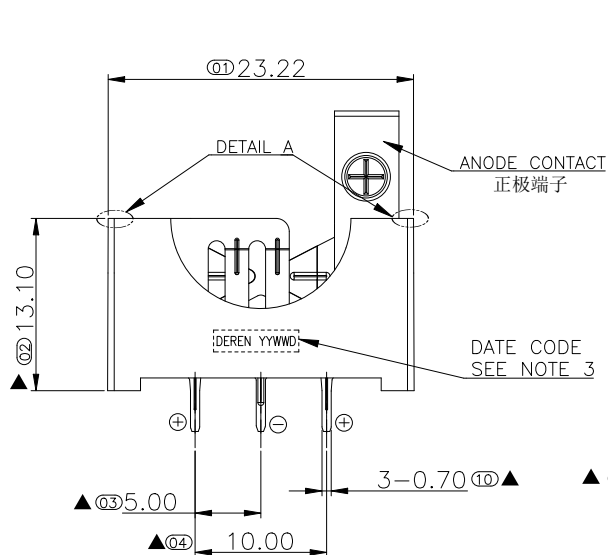
TOLERANCE:±0.05

PCB PAD

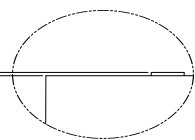
NOTES:
PRODUCT MEETS DEREN CONTROLLED SUBSTANCES SPEC. ROHS 2.0
PER WI-PB-S-010.

- MATERIAL:
 - HOUSING:LCP R845, UL94V-0; COLOR: BLACK
 - ANODE CONTACT: C5191-H,T=0.20±0.01MM.
 - CATHODE CONTACT: C5191-H,T=0.20±0.01MM.
- FINISH:
 - CONTACT: PLATING ON CONTACT AREA,SEE PART NUMBER DESCRIPTION.
 - 2.54um[100u"] MIN. TIN PLATING ON SOLDER TAIL AREA.
 - 1.27um[50u"] MIN. NICKEL UNDERPLATING OVERALL.
- DATE CODE : YYWD (YY: YEAR, WW: WEEK, D: DAY)
- APPLICABLE BATTERY:CR2032.
- REFLOW SOLDER CAPABLE TO 260°C±5°C 10SEC
- MARKED ▲ SHOW FAI ITEM.
- MARKED ▲ SHOW FIT FORM FUNCTION ITEM.
- PART NUMBER DESCRIPTION:
560201-003HX12T

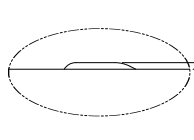
- PACKING CODE:
T: HARD TRAY
- CAP CODE 2:WITH CAP
引脚长度
1: 3.10MM
- PLATING CODE:
0: Ni 50u"
1: Au 1u"
2: Au 5u"
- HALOGEN CODE:
H: HALOGEN FREE
- 02:2PIN



正极端子露出塑胶
0.15mm MAX (D)



负极端子露出塑胶
0.15mm MAX (D)



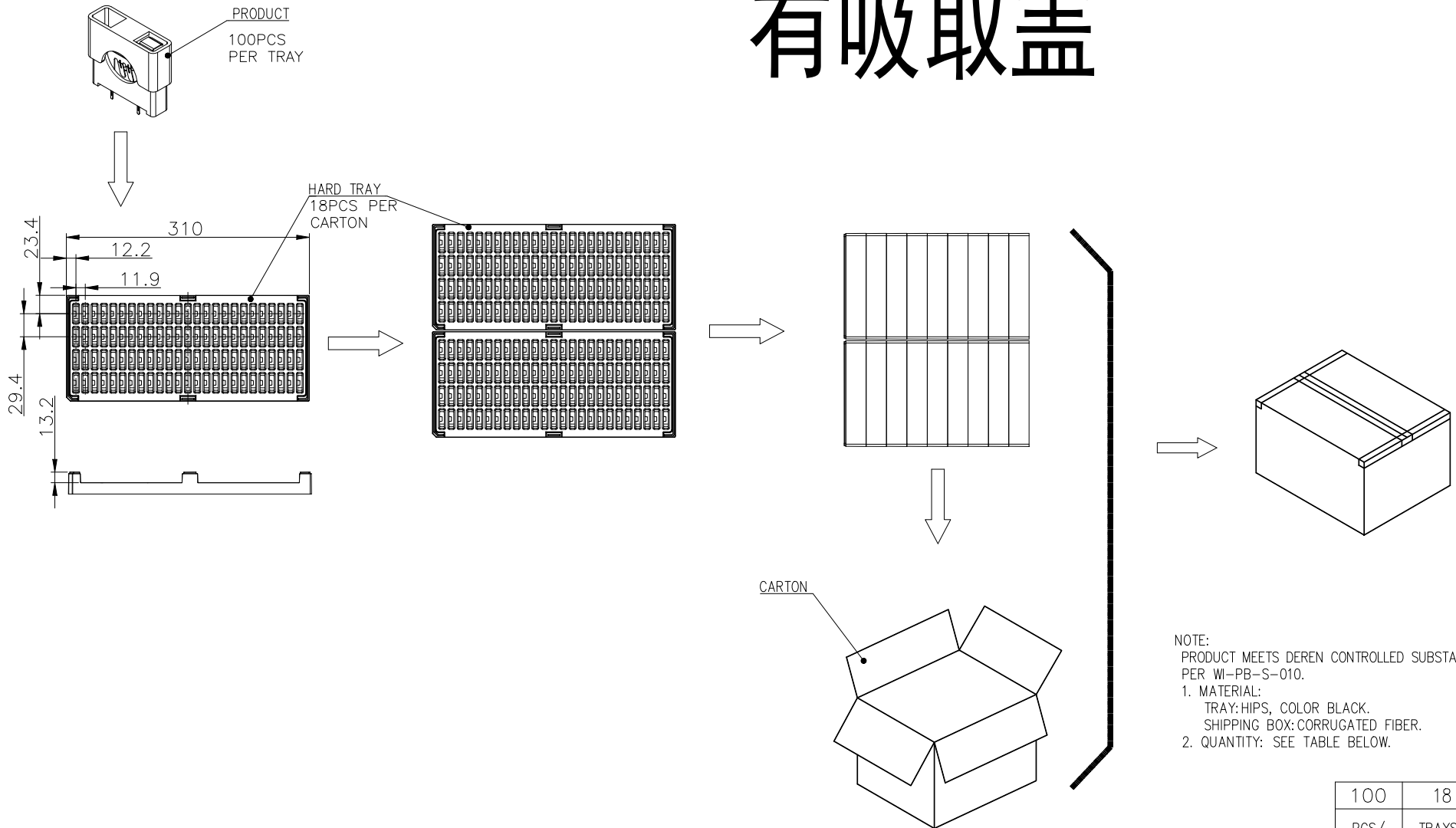
DIM	TOL	DIM	TOL
x.	±0.25	x.	±2*
.x	±0.15	.x	±1*
.xx	±0.10		



DEREN
SHENZHEN DEREN ELECTRONIC CO., LTD

DRAW NO. SC2410381	DESIGN:	Guo Xi Qiao	DATE	2024.08.02	TITLE: Battery 2pin holder H5.80 DIP TYPE WITH CAP(HARD TRAY)
	CHECK:				
REV. A	APPROVAL:				P/N: 560201-003HX12T
					SHEET: 1/2
					SCALE: 2:1 UNIT: mm

有吸取盖



NOTE:
PRODUCT MEETS DEREN CONTROLLED SUBSTANCES SPEC. ROHS 2.0
PER WI-PB-S-010.
1. MATERIAL:
TRAY: HIPS, COLOR BLACK.
SHIPPING BOX: CORRUGATED FIBER.
2. QUANTITY: SEE TABLE BELOW.

100	18	1600
PCS/ TRAY	TRAYS/ CARTON	PCS/ CARTON

DIM	TOL	DIM	TOL
.x.	±0.25	.x.	±2*
.x	±0.15	.x	±1*
.xx	±0.10		



DEREN
SHENZHEN DEREN ELECTRONIC CO., LTD

DRAW NO. SC2410381	INSPECTION	DRAWING	DATE	TITLE: Battery 2pin holder H5.80 DIP TYPE WITH CAP(HARD TRAY包装)
	DESIGN:	Guo Xi Qiao	2024.08.02	P/N:560201-003HX12T
REV. A	CHECK:			SHEET: 2/2
	APPROVAL:			SCALE: N/A UNIT: mm