

REV.	ECN NO.	LOCATION	DESCRIPTION	DATE	DESIGN
A	/	/	INITIAL RELEASE	23.05.05	Lane Zhang

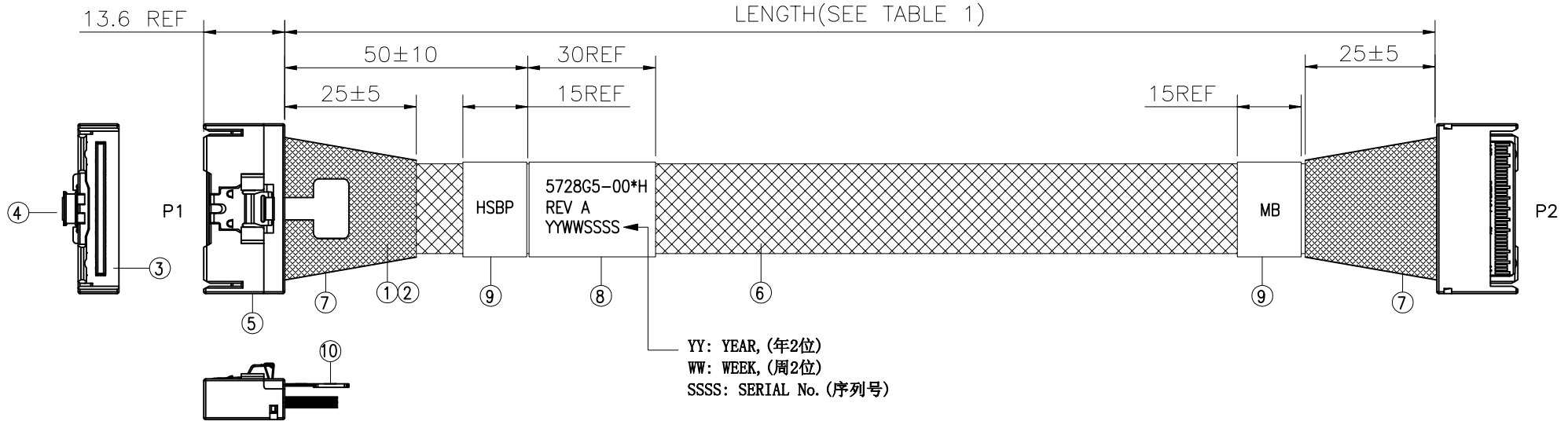


TABLE 1:

ITEM	LENGTH	DEREN P/N	CUSTOMER P/N
1	130±10MM	5728G5-005H	T9333310003262
2	450±10MM	5728G5-006H	T9333310003263

Notes:

- ELECTRICAL PERFORMANCE:
 - 100% OPEN & SHORT TEST
 - CONNECTION RESISTANCE: 3Ω Max.
 - INSULATION RESISTANCE: 10MΩ /DC300V/10ms (Min).
- THE IMPEDANCE IS CABLE AREA: 85±10Ω, CONNECTOR AREA 85±15Ω
- THE CABLE ASSEMBLY ELECTRICAL AND MECHANICAL PERFORMANCE MUST BE MEET PCIe GEN5.0.
- THE DIMENSION MARKED "▼" SHOULD BE CHECKED.
- THE CABLE ASSEMBLY SHALL BE MEET RoHS2.0 COMPLIANT.

No.	PART NAME	DESCRIPTION	QTY	UNIT
10	PULL TAB	PULL TAB, BLUG	2	PCS
9	LABLE	WHITE LABEL, 70*15MM REF	2	PCS
8	LABLE	WHITE LABEL, 60*30MM REF	1	PCS
7	ACTATE	ACTATE BLACK 25MM	4	PCS
6	MEAVE TUBE	PET WEAVE TUBE SINGER WIRE 72*0.18MM	1	PCS
5	COVER	MCIO 74PIN COVER BLACK PBT BASE & COVER	2	SET
4	LATCH	SUS 301 3/4H, T=0.25MM	2	PCS
3	PCB	MCIO 74PIN PCB AU PLATED 30u", T=1.57MM	2	PCS
2	Raw cable	FEP, 30AWG*1P+AM+1D+HM 850HM	8	PCS
1	Raw cable	FEP, 30AWG*1P+AM+2DX0.16MM+HM 850HM	16	PCS

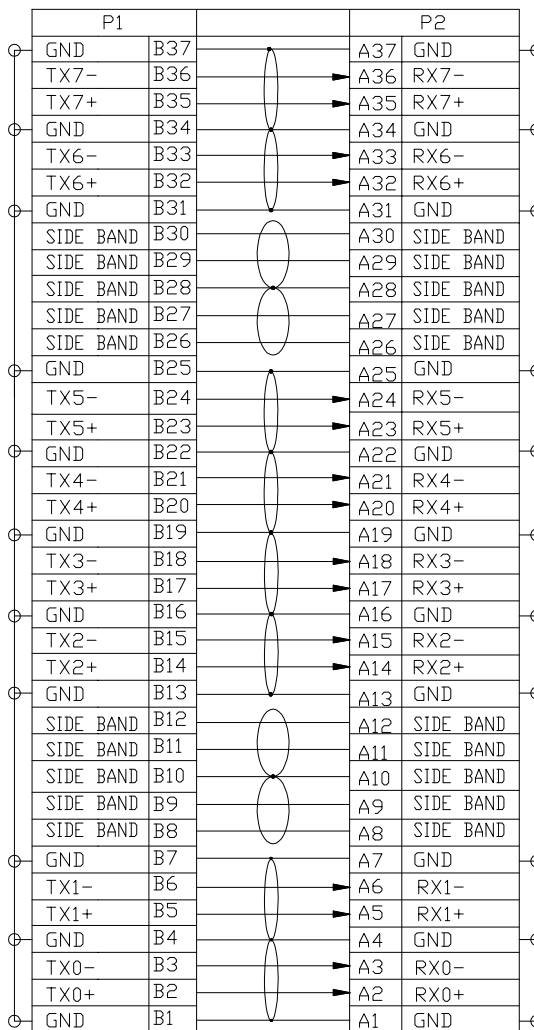
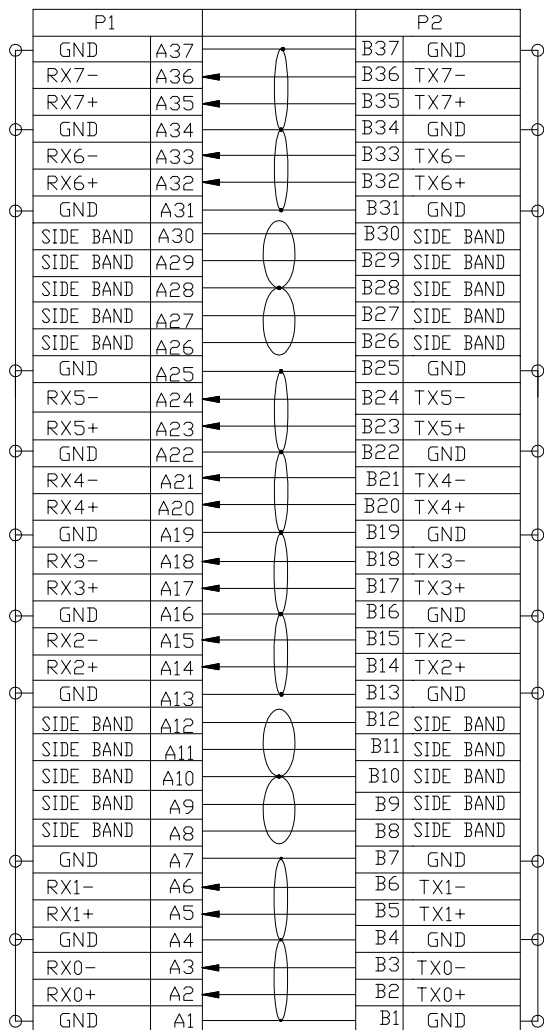
DIM	TOL	DIM	TOL
x	±0.15	x	±1'
.x	±0.10	.xx	±0.5'
.xx	±0.05		

UNIT: mm
Page: 1 of 2

	DEREN SHENZHEN DEREN ELECTRONIC CO.,LTD	
	INSPECTION DRAWING	DATE
	DESIGN:	
	CHECK:	
APPROVAL:		
DRAW NO.		TITLE: MCIO,8X,Cable-1, PCIe5.0,STR TO STR
REV. A		Customer :
		Customer P/N: SEE TABLE 1
		DEREN P/N: SEE TABLE 1

REV.	ECN NO.	LOCATION	DESCRIPTION	DATE	DESIGN
A	/	/	INITIAL RELEASE	23.05.05	Lane Zhang

WIRING TABLE:



DIM	TOL	DIM	TOL
x	±0.15	x	±1*
.x	±0.10	.xx	±0.5*
.xx	±0.05		



DEREN
SHENZHEN DEREN ELECTRONIC CO.,LTD

INSPECTION	DRAWING	DATE	TITLE: MCIO,8X,Cable-1, PCIe5.0,STR TO STR
DESIGN:			Customer :
CHECK:			Customer P/N: SEE TABLE 1
APPROVAL:			DEREN P/N: SEE TABLE 1

DRAW NO.

UNIT: mm

Page: 2 of 2

REV. A