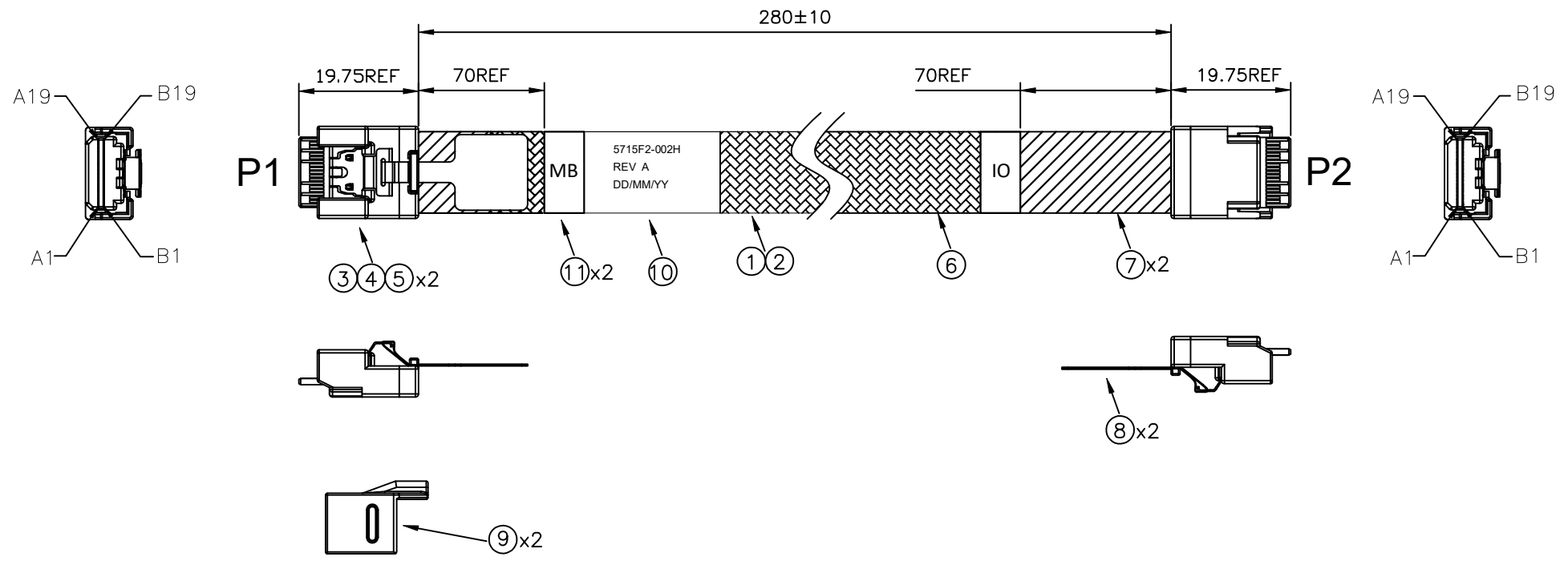


REV.	ECN NO.	LOCATION	DESCRIPTION	DATE	DESIGN
A	/	/	INITIAL RELEASE	23.05.09	Lane Zhang




**Notes:**

- ELECTRICAL PERFORMANCE:
  - 1-1. 100% OPEN & SHORT TEST.
  - 1-2. CONNECTION RESISTANCE: 3.0 Ohm MAX
  - 1-3. INSULATION RESISTANCE: 10M Ohm/DC300V/10ms (MIN)
- THE IMPEDANCE IS CABLE AREA : 85±10% OHM, CONNECTOR AREA: 85±15% OHM.
- THE CABLE ASSEMBLY ELECTRICAL AND MECHANICAL PERFORMANCE MUST BE MEET PCIE4.0
- THE CABLE ASSEMBLY SHALL BE MEET RoHS2.0 COMPLIANT

11	LABEL	W=15mm, T=0.08mm, WHITE
10	LABEL	W=30mm, T=0.08mm, WHITE
9	DUST COVER	SLIM SAS 4X DUST COVER, MATERIAL:PE
8	PULL TAB	W/PULL TAB LATCH FOR SLIMSAS
7	ACETATE	ACTATE BLACK 25MM
6	WEAVE TUBE	PET, OD8.0MM, BLACK SINGLE ROOT
5	OUTER MOLDING	PBT+30%GF, BLACK, UL94V-0
4	LATCH	SUS301 3/4H, T=0.25mm
3	PCB	SLIMSAS 74P;Au 30U';85ohm
2	Raw cable	31AWGx1P+AM+32AWGx1D+HM;85OHM BLUE
1	Raw cable	PCIE 4.0;30AWGx1P+2D+AM;85OHM BLUE
No.	PART NAME	DESCRIPTION

DIM	TOL	DIM	TOL
x	±0.15	x	±1*
.x	±0.10	.xx	±0.5*
.xx	±0.05		

	<b>DEREN</b>		SHENZHEN DEREN ELECTRONIC CO.,LTD	
	INSPECTION DRAWING	DATE	TITLE: Front IO Slim SAS 4X Cable-1	
	DESIGN:		Customer :	
	CHECK:		Customer P/N: T933310003274	
APPROVAL:		DEREN P/N: 5715F2-002H		

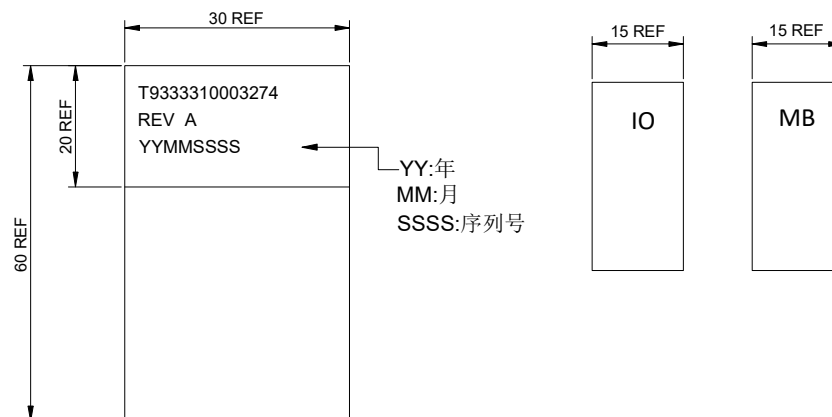
Page: 1 of 2

REV. A


REV.	ECN NO.	LOCATION	DESCRIPTION	DATE	DESIGN
A	/	/	INITIAL RELEASE	23.05.09	Lane Zhang

WIRING TABLE:

GND	A1		B1	GND
USB3_PCH_P08_RXP	A2		B2	USB3_PCH_P08_RXP
USB3_PCH_P08_RXN	A3		B3	USB3_PCH_P08_RXN
GND	A4		B4	GND
USB3_P09_RXP	A5		B5	USB3_P09_TXP
USB3_P09_RXN	A6		B6	USB3_P09_TXN
GND	A7		B7	GND
SPA_SOUT	A8		B8	BMC_UART1_TXD1
SPA_SIN	A9		B9	BMC_UART1_RXD1
DP_HPD_R	A10		B10	DP_BMC_CONN_HPD
DP_BMC_CONN_AUX_DP	A11		B11	DP_BMC_CONN_AUX_DP
DP_BMC_CONN_AUX_DN	A12		B12	DP_BMC_CONN_AUX_DN
GND	A13		B13	GND
USB2_P9_DP	A14		B14	USB2_P9_DP
USB2_P9_DN	A15		B15	USB2_P9_DN
GND	A16		B16	GND
USB2_P8_DP	A17		B17	USB2_P8_DP
USB2_P8_DN	A18		B18	USB2_P8_DN
GND	A19		B19	GND
GND	B1		A1	GND
USB3_PCH_P08_TXP	B2		A2	USB3_PCH_P08_TXP
USB3_PCH_P08_TXN	B3		A3	USB3_PCH_P08_TXN
GND	B4		A4	GND
USB3_P09_TXP	B5		A5	USB3_P09_TXP
USB3_P09_TXN	B6		A6	USB3_P09_TXN
GND	B7		A7	GND
SPA_CTS_N	B8		A8	BMC_UART1_NCTS1
SPA_RTS_N	B9		A9	BMC_UART1_NRTS1
SPA_DSR_N	B10		A10	BMC_UART1_NDSR1
SPA_DTR_N	B11		A11	BMC_UART1_NDTR1
SPA_DCD_N	B12		A12	BMC_UART1_NDCD1
GND	B13		A13	GND
DP_BMC_CONN_TX1_DP	B14		A14	DP_BMC_CONN_TX1_DP
DP_BMC_CONN_TX1_DN	B15		A15	DP_BMC_CONN_TX1_DN
GND	B16		A16	GND
DP_BMC_CONN_TX0_DP	B17		A17	DP_BMC_CONN_TX0_DP
DP_BMC_CONN_TX0_DN	B18		A18	DP_BMC_CONN_TX0_DN
GND	B19		A19	GND



DIM	TOL	DIM	TOL
x.	±0.15	x.	±1*
.x	±0.10	.xx	±0.5*
.xx	±0.05		

	<b>DEREN</b> SHENZHEN DEREN ELECTRONIC CO.,LTD		
	INSPECTION DRAWING	DATE	TITLE: Front IO Slim SAS 4X Cable-2
	DESIGN:		Customer :
	CHECK:		Customer P/N: T9333310003274
Page: 2 of 2	REV. A	APPROVAL:	DEREN P/N: 5715F2-002H